

RECLINING ERGOMETER

# *ergoselect 12*



reddot award 2018  
winner



ergoline

***ergoline***  
MOVING TO HEALTH

RECLINING ERGOMETER

## *ergoselect 12*

Trailblazing functionality and expressive design, combined to create the perfect stress echo reclining ergometer. The low couch height specifically enables convenient access for elderly patients – without the interference of the ergometry unit, support elements and seat.

The extremely sturdy design supports patient weights of up to 200 kg without vibration during ergometric testing.



*Learn more about ergoselect 12 –  
with 360° view and technical features.*

- patient weight up to 200 kg
- horizontal and lateral inclination up to 45°
- remote motor control (wireless option)
- ergometry unit folds away easily
- whisper-quiet belt drive
- load range from 6 to 450 Watts (1000 Watt option)
- maximum comfort
- choice of upholstery colors available
- universal interfaces
- wide range of expansion options



**reddot** award 2018  
winner



### **Max. patient weight up to 200 kg**

The stable base frame and the vibration-free design guarantee the highest level of safety and enable the use of the reclining ergometer with morbidly obese patients.



### **Hip support**

The variably adjustable hip pad ensures secure lateral patient support during stress echocardiography examinations in lateral positions.



### **Underarm support**

Together with an integrated handle, the easily adjustable underarm pad offers additional patient support during the lateral tilting of the stress echo reclining ergometer.



### **Headrest**

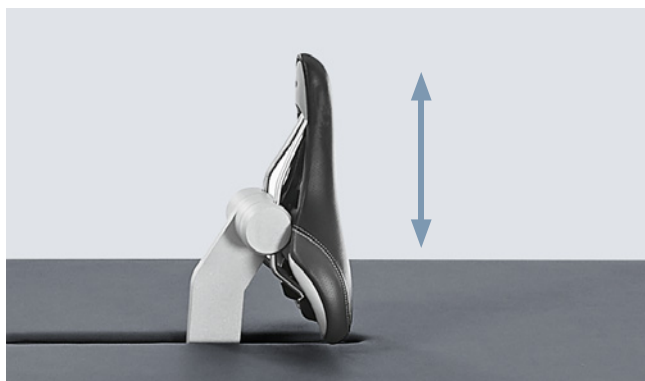
The comfortable headrest with lateral support can be moved over a wide range for easy adjustment to the patient's body size.

The laterally attached speed display is easy to read in any position and can be folded away when not in use.



### **Drop section for echocardiography**

The easily folding cushion element considerably simplifies ultrasound examinations in lateral patient positions.



### Examination couch

A few hand movements turn the ergoselect 12 into a full-fledged comfortable examination couch – the ultralight and compact ergometry unit is simply unlocked and lowered until flush with the couch surface. After removing the seat and shifting or removing the lateral support elements, no inconvenient rails or mounting elements remain in the couch surface.



### Pedal shoes

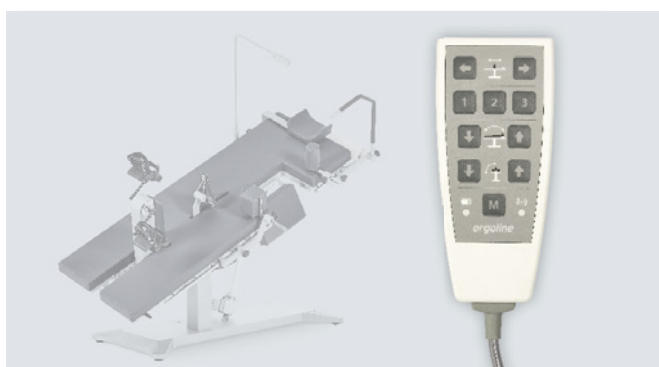
The specially developed pedal shoes secure the patient's feet at the ergometry unit and reliably prevent slipping off the pedal cranks, even in lateral position.



### Speed display (cadence)

During the ergometric test, the patient display shows the current speed for control, while additional icons warn against overly low or high speed.

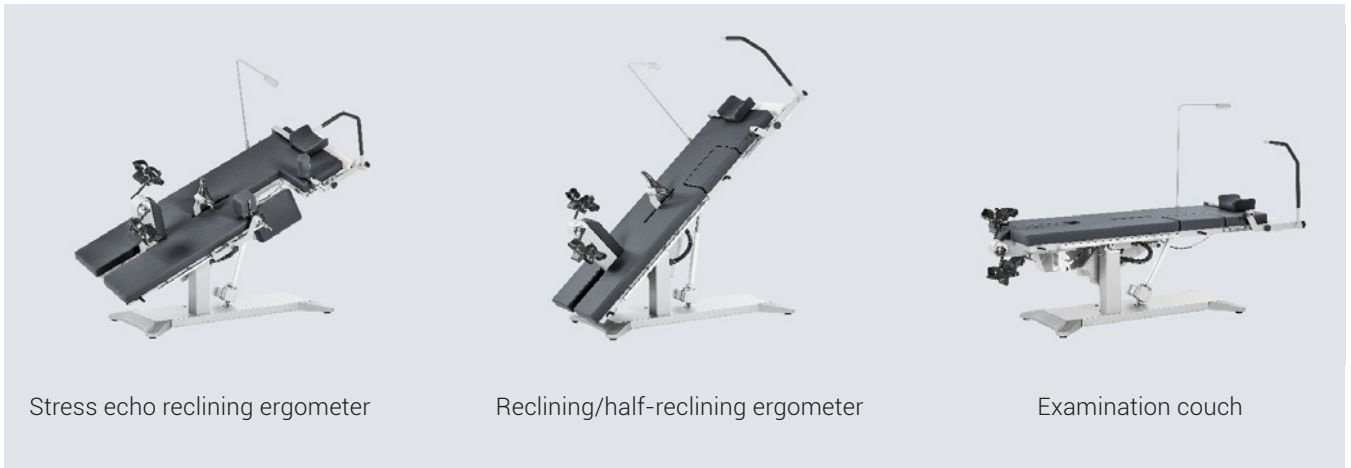
The display is directly connected to the headrest and can be folded away laterally when not in use.



### Remote control

The examination position and seat settings can be conveniently adjusted via remote control with multi-position memory. A wireless version is available on request. The independent pivot areas for both motors make it easy to move the couch into any position.

*ergoline* reclining ergometer ergoselect 12



**Versatile functions**

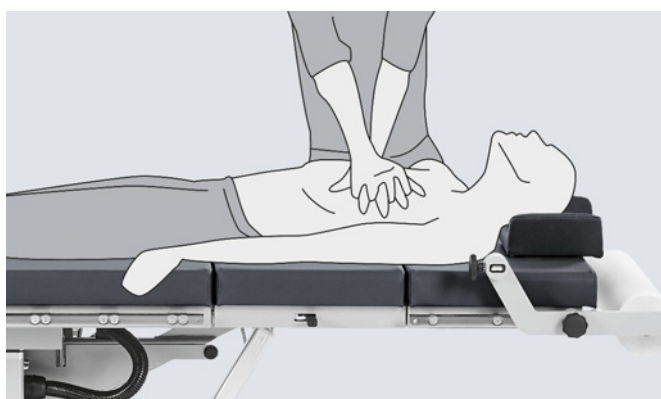
ergoselect 12 is not only a perfect stress echo reclining ergometer, but can also easily be used for other applications.





### **Emergency lowering**

In the event of a power failure, the built-in battery-driven emergency lowering feature ensures that the ergometer is moved to the starting position so the patient can safely get off.



### **Chest compressions**

The completely vibration-free design of the reclining ergometer even allows for performing chest compressions in horizontal position directly on the couch surface without the need to move the patient.



### **Hygienic upholstery fabric in a variety of colors**

The high-quality upholstery fabric with its fine microstructure is an ideal choice:

It is durable, easy to disinfect, and antibacterial, to name just a few of the outstanding material properties. The pad cushions are available in many colors to match any practice or hospital interior design.



### **ECG connection/interfaces**

All leading ECG manufacturers support a control option for ergoline ergometers in their exercise ECG or ergospirometry systems.

ergoline ergometers offer a wide range of connection options. In addition to the standard RS-232 and USB interface, wireless connections via Bluetooth or WiFi are available as well.

## *ergoselect 12 – modules, expansion options*



### **Automatic blood pressure measurement**

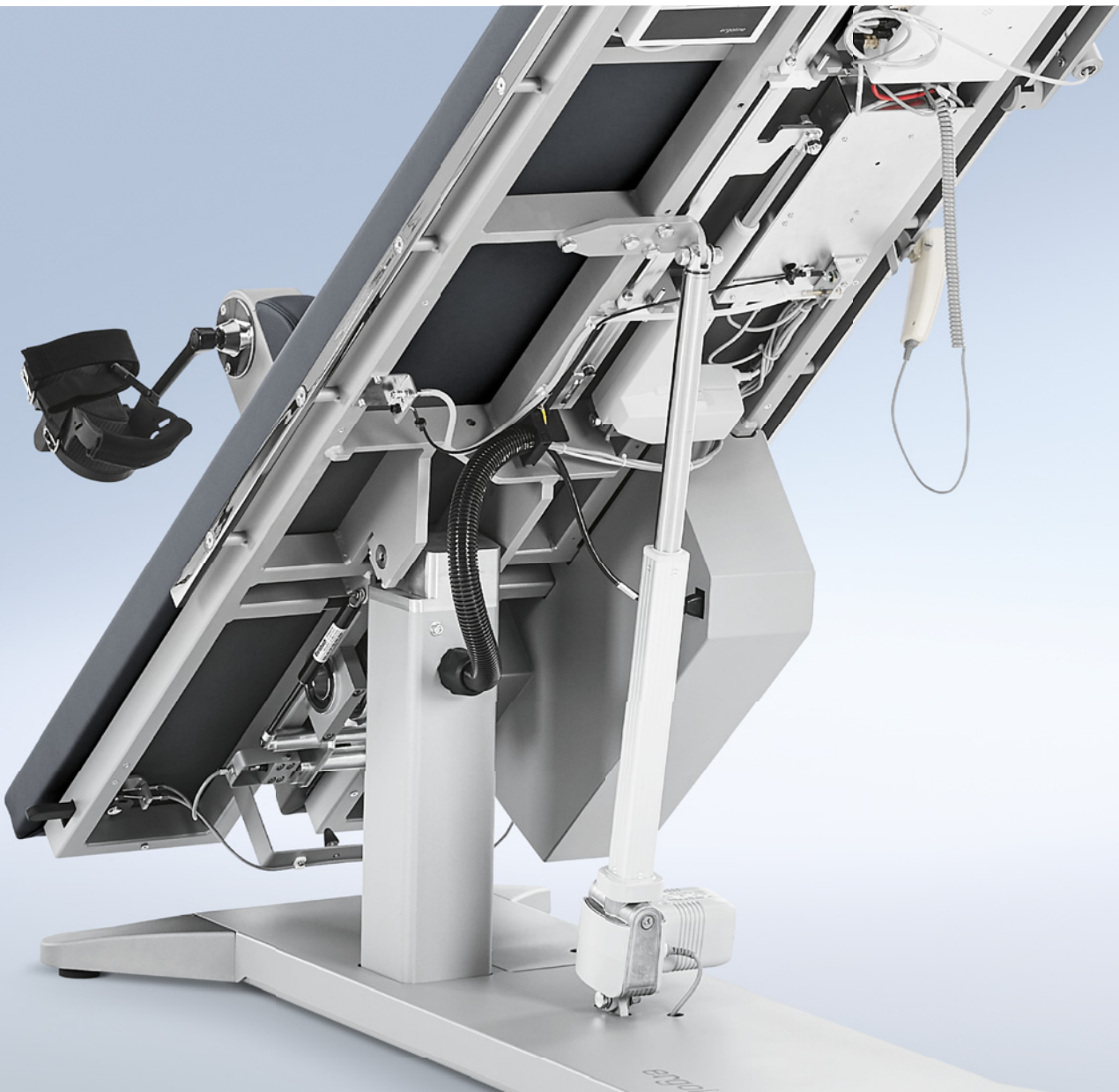
The optionally integrated, automatic blood pressure measurement works with a specifically developed cuff microphone. The combination of auscultatory measurement and sophisticated algorithms for artifact suppression yields precise measurement values – even at high loads.



### **Integrated SpO<sub>2</sub> measurement**

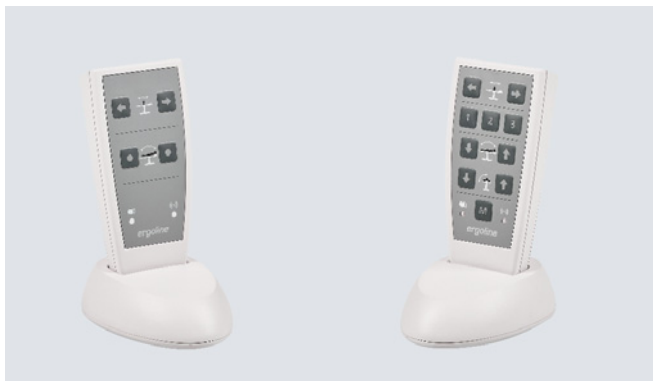
For precise monitoring of the patient's oxygen saturation during the stress test, the reclining ergometers can be equipped with an SpO<sub>2</sub> measurement module (control terminal P/T).

A wide selection of suitable SpO<sub>2</sub> sensors is available in different sizes.





*ergoline* reclining ergometer ergoselect 12 – modules, expansion options



**Control terminal, on separate stand**

Control terminals on a stand are available for the easy performance of custom ergometric test protocols or manual load adjustment.

**Wireless remote control**

The motors of the reclining ergometers can be conveniently adjusted without the hassle of cables.



**Lap belt**

A laterally mounted belt ensures additional safety during the examination – especially for morbidly obese patients.

**Catheter shelf (stainless steel)**

A universally adjustable board can be attached laterally for performing heart catheter examinations.



**Additional handgrip**

A sturdy handgrip can be attached at the right side.

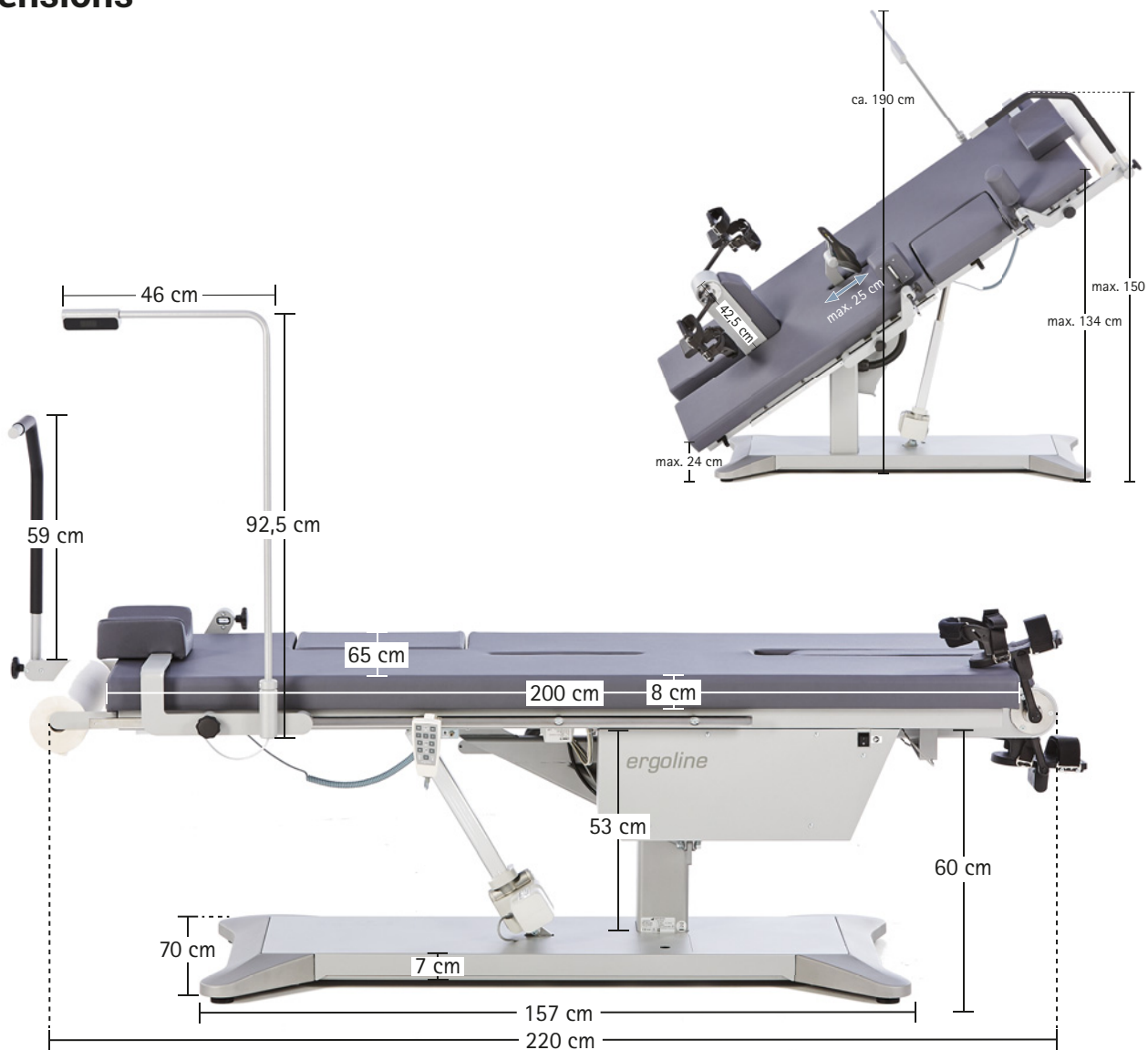
**IV pole**

An IV pole can be easily attached to the DIN rails.



# ergoselect 12 – Measurement

## Dimensions



# ergoselect 12 – Technical Specifications

Reclining ergometer		ergoselect 12		
Adjustment of couch surface (tilt / incline)	0 – 45° each, continuous, motor-driven via remote control, 3 positions user-programmable			
Seat adjustment	continuous, motor-driven via remote control			
Remote control, cable / wireless	● / ○			
Couch surface	200 cm x 65 cm			
Couch height (examination couch)	73 cm			
Upholstery fabric	easy-care, abrasion-resistant, antimicrobial, antibacterial acc. to JIS Z 2801, disinfectant-resistant, fulfills requirements of German Medical Devices Act (MPG) acc. to DIN EN ISO 10993-5, -10			
Patient weight (max.)	200 kg			
Emergency lowering by power failure	integrated rechargeable batteries, lowering to resting position with emergency button			
Brake unit				
Brake system	computer-controlled eddy current brake			
Drive	special multi-stage belt technology (no slippage, low wear)			
Load	6 – 450 watts (1000 watts optional), speed-independent			
Accuracy	to DIN VDE 0750-238			
Speed range	30 – 130 rpm			
Control terminal	D (service)	M (remote control)	P (ergometry)	T (color touch)
Integrated / on separate stand	● / –	– / ○	– / ○	– / ○
Display, numeric	–	load, speed (rpm), time, blood pressure (LCD)		7" color display
Display, graphic (e.g., load or pulse curve)	–	–	–	●
Patient display	–	speed with target range, swiveling		
Keyboard	–	–	membrane keyboard	touch keyboard
Exercise test protocols				
User programmable	–	–	10	10
Manual load control	–	–	●	●
Training protocols				
User programmable	–	–	–	10
Preprogrammed performance tests	–	–	–	3
Expansion options				
Automatic blood pressure measurement	–	○	○	○
Interfaces				
Digital (RS-232, USB) / Bluetooth / WiFi	● / ○ / ○			
Dimensions and weight				
Reclining ergometer		Reclining ergometer with packaging		
Length:	220 cm	Length:	230 cm	
Width:	90 cm (with attachments)	Width:	98 cm	
Height:	180 cm (max.)	Height:	110 cm	
Weight:	approx. 255 kg	Weight:	approx. 295 kg	
Miscellaneous				
Power supply	100 – 240 V / 50 – 60 Hz / 200 VA max.			

PREMIUM QUALITY



MADE IN GERMANY

**ergoline GmbH**

Lindenstraße 5 | D-72475 Bitz, Germany

Phone: +49-(0)-7431-9894-0 | Fax: +49-(0)-7431-9894-128

email: [info@ergoline.com](mailto:info@ergoline.com) | [www.ergoline.com](http://www.ergoline.com)